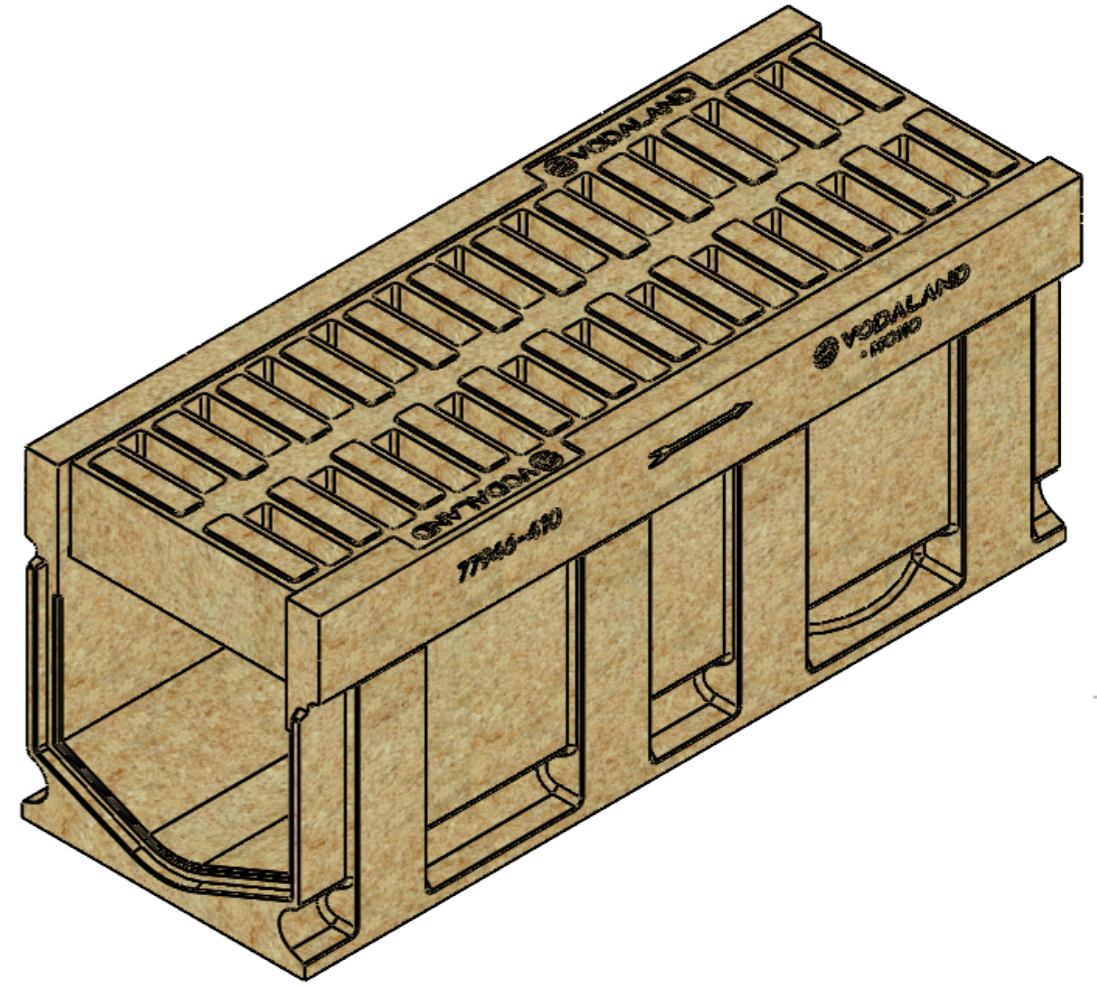
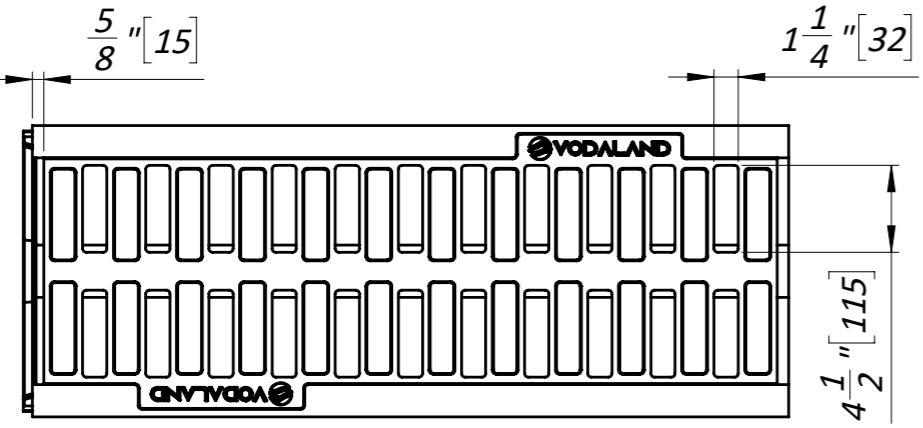
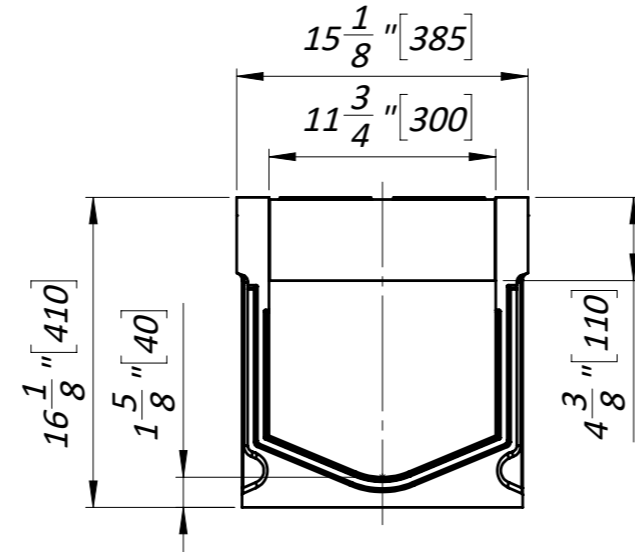
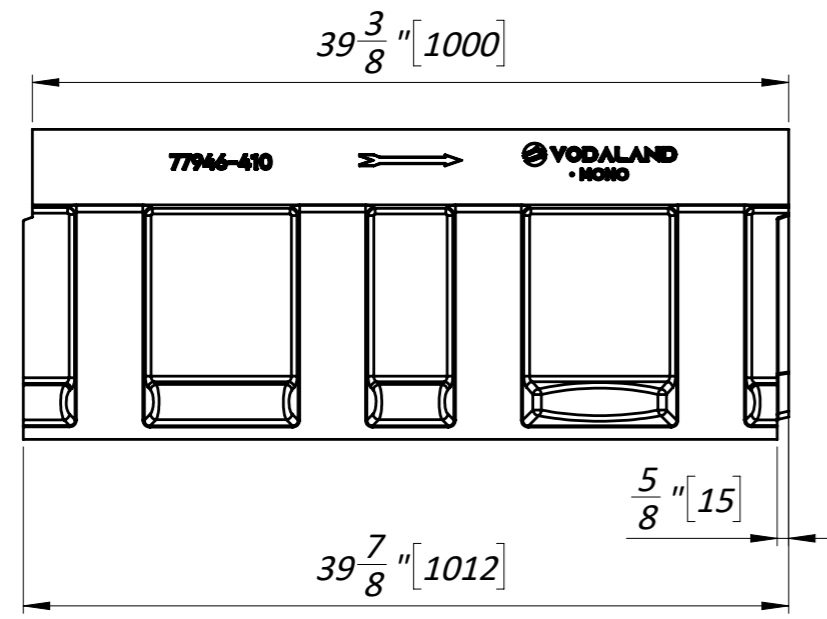



8 7 6 5 4 3 2 1

F
E
D
C
B
A



1. Dimensions for reference, inch [mm]
2. Area of water intake slots 139.5 sq in [900 sq cm]
3. Delivery and packaging are carried out in accordance with the terms of the contract
4. The manufacturer reserves the right, without notice to the consumer, to make changes to the design of the products for improvement of their technological and operational parameters, which will not affect the quality and properties of the product
5. Deviation of the actual weight of the nominal can be up to 10%.

UNLESS OTHERWISE SPECIFIED: DIMENSIONS ARE IN MILLIMETERS SURFACE FINISH: TOLERANCES: ISO 2768 - C LINEAR: ANGULAR:		FINISH:	DEBURR AND BREAK SHARP EDGES	DO NOT SCALE DRAWING	REVISION
DRAWN: Kozak		SIGNATURE:	DATE: 18.10.22	 TITLE: 12" [DN300] Polymer Concrete Drain Monoblock Mono H16.1" [H410] F900	
CHK'D: Kyselytsia					
APPV'D: Malynovskiy					
MFG:					
Q.A:					
MATERIAL: Polymer Concrete			ARTICLE: 77946-410		A3
WEIGHT: 332.2 lb / 151 kg			SCALE: 1:10		SHEET 1 OF 1

8 7 6 5 4 3 2 1